

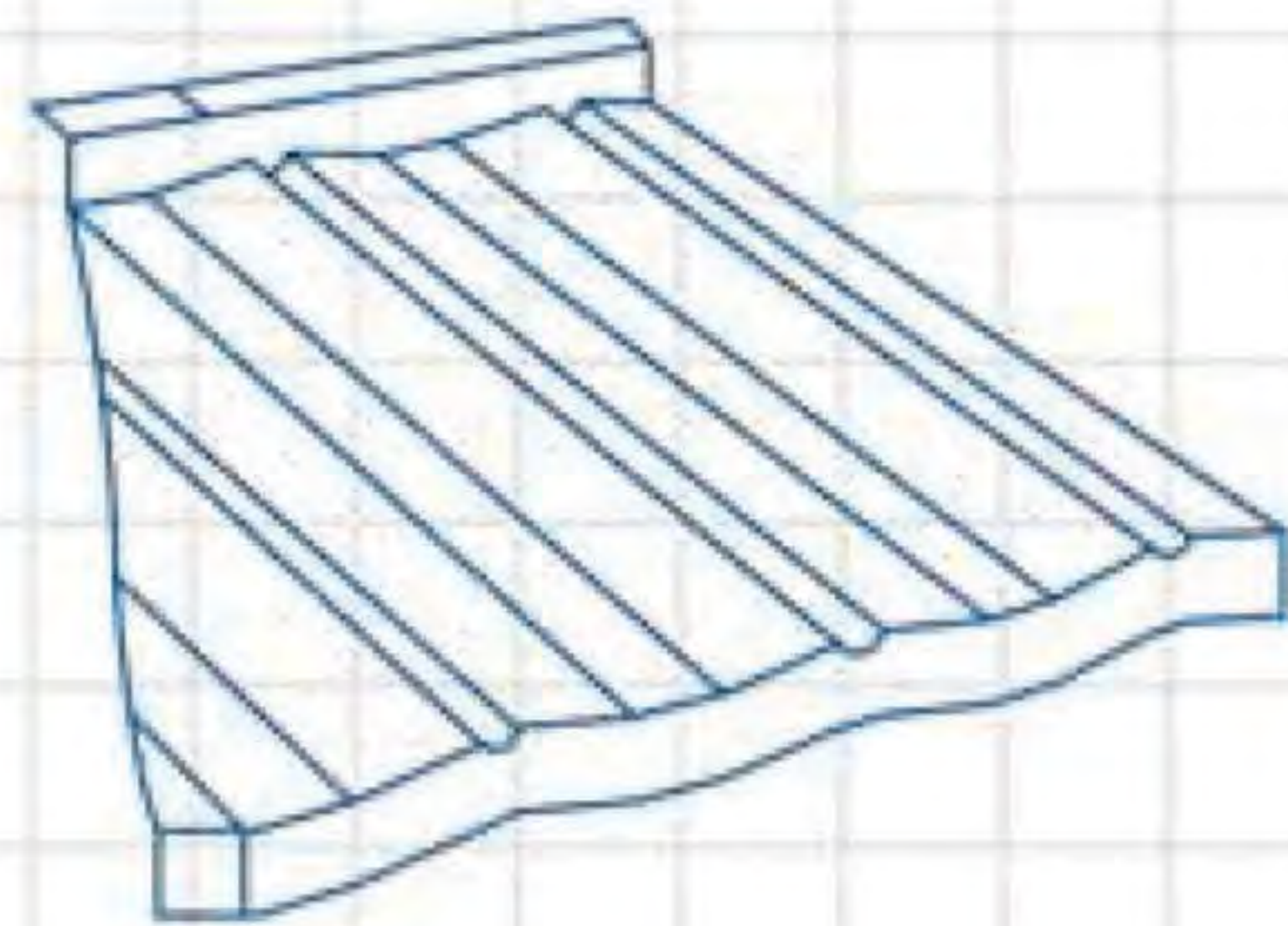
Timber specifications are calculated on the basis of using graded SABS soft woods. Battens must be spaced according to specification in this manual.

Rafters spaced at the following maximum centres

Using 38 x 38 mm battens - 1.1m centres

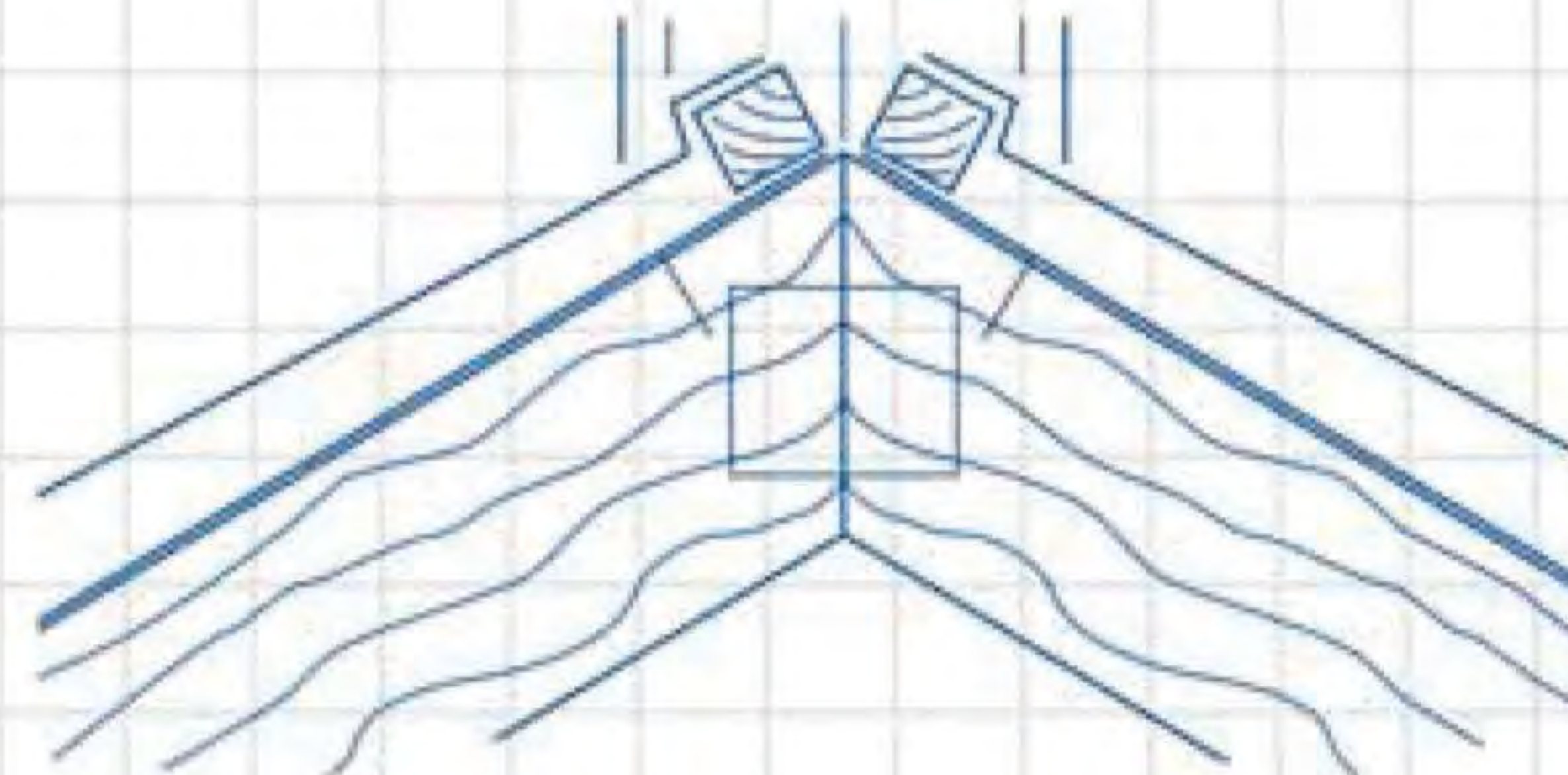
Using 38 x 50 mm battens - 1.2m centres

Using 50 x 50 mm battens - 1.3m centres



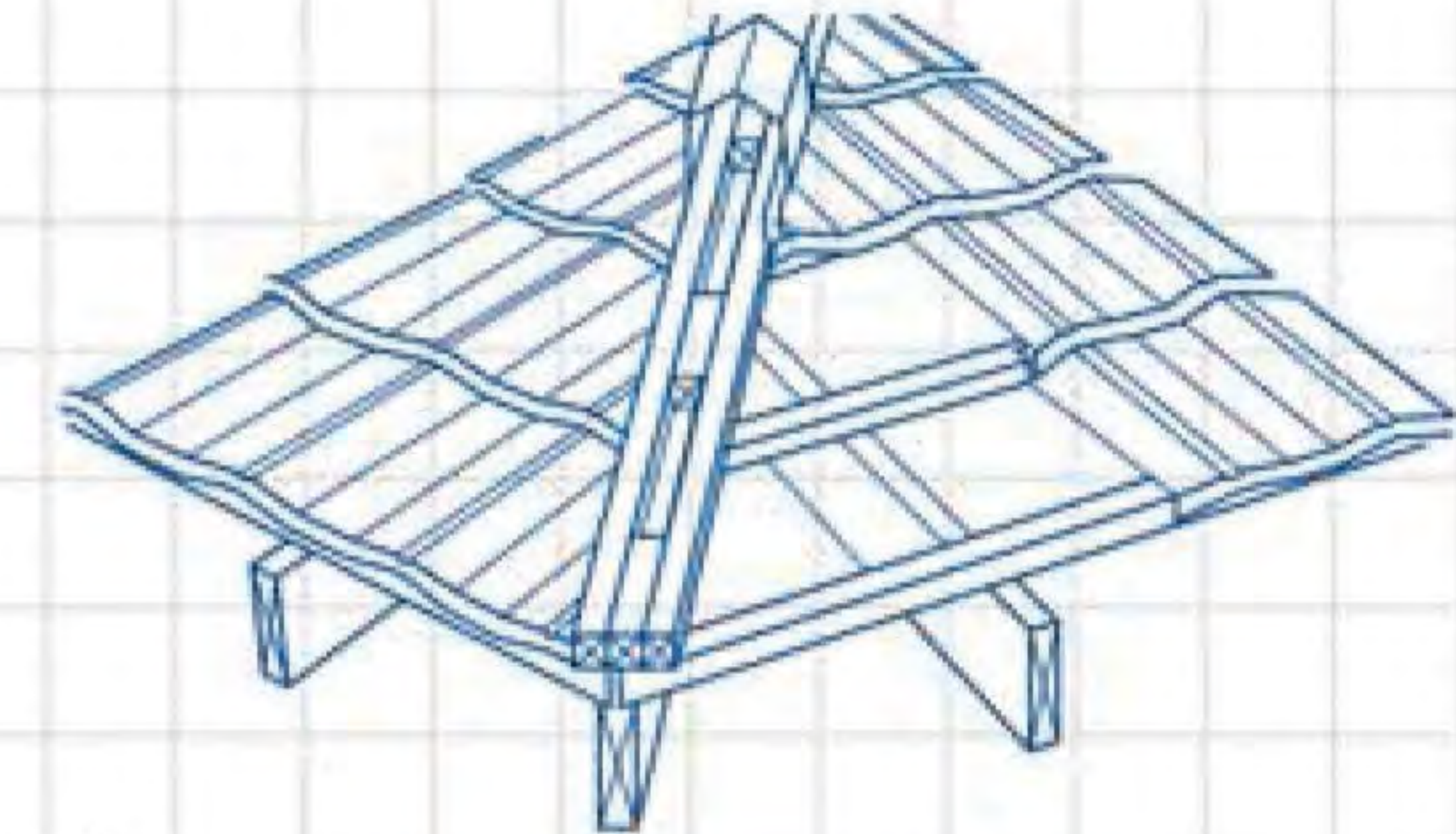
Tiles

Each tile is fastened using 2 serrated nails driven through the rear return flange of the tile and 4 through the front edge of the tile into the battens.



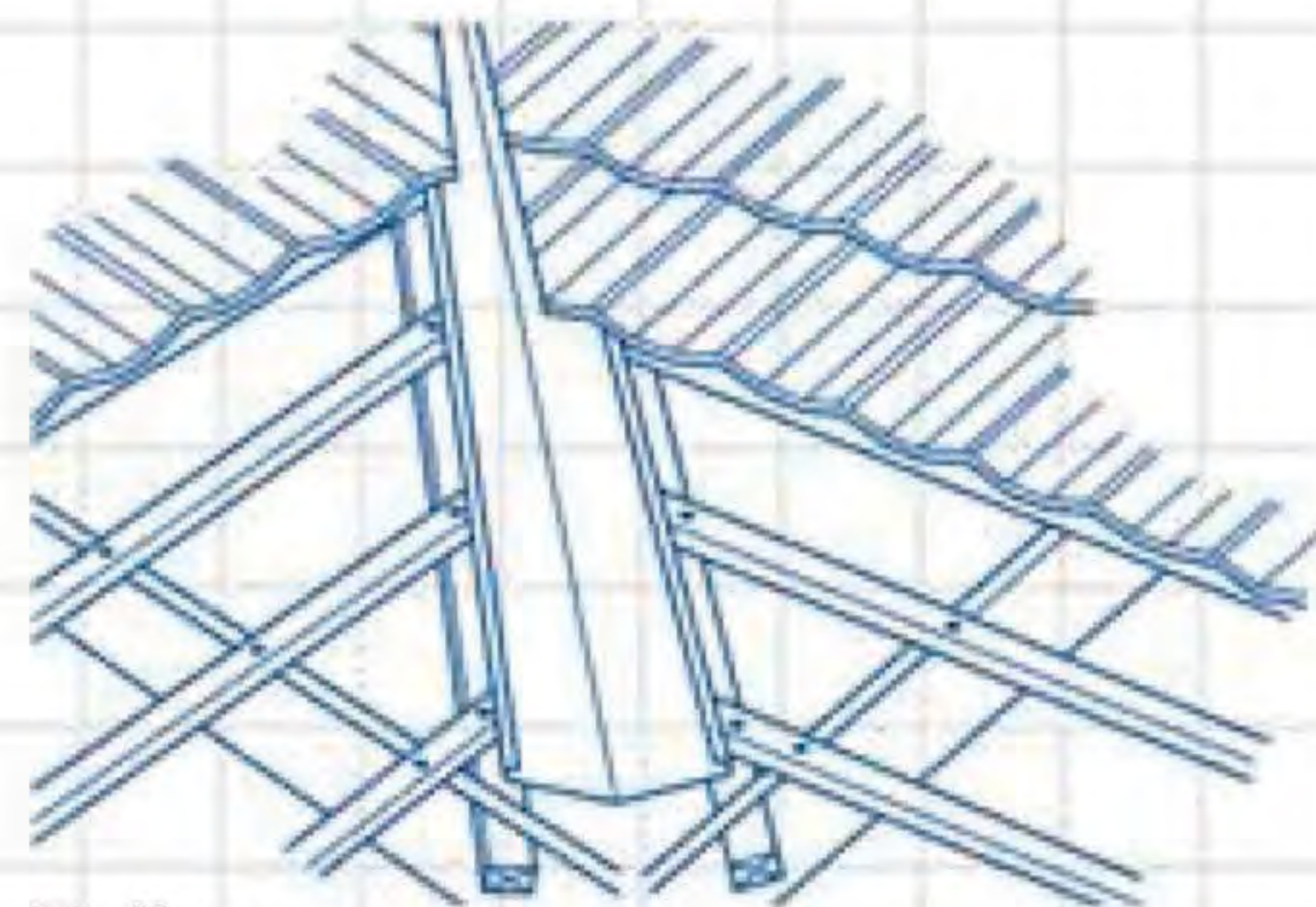
Ridges

When angle ridges are used, two tile battens are fitted one on either side at the apex of the truss. For square ridge caps, one tile batten is fitted on the apex of the ridge. The ridge caps are fitted over these battens and nailed through the sides of the ridge caps into the tile upturn and face of the battens, using 4 serrated nails on each side.



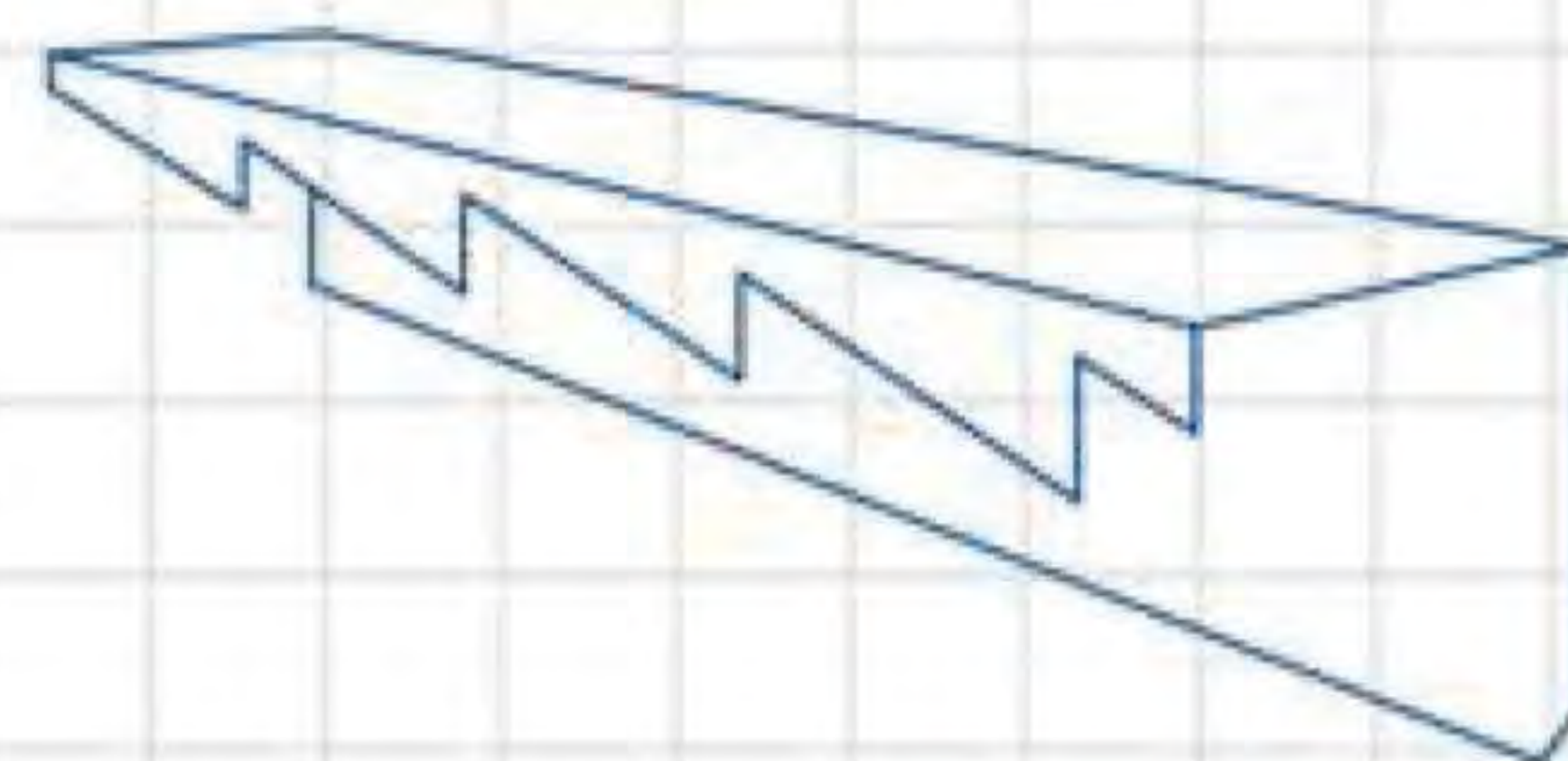
Hips

Hip battens are fitted on the hip line to accommodate either angle or square hip caps - as described for the ridge detail. Tiles are cut and bent up against the battens. The hip caps are fitted over the battens and tile upturn and nailed through the side of the hip caps into the face of the batten using 2 nails on each side.



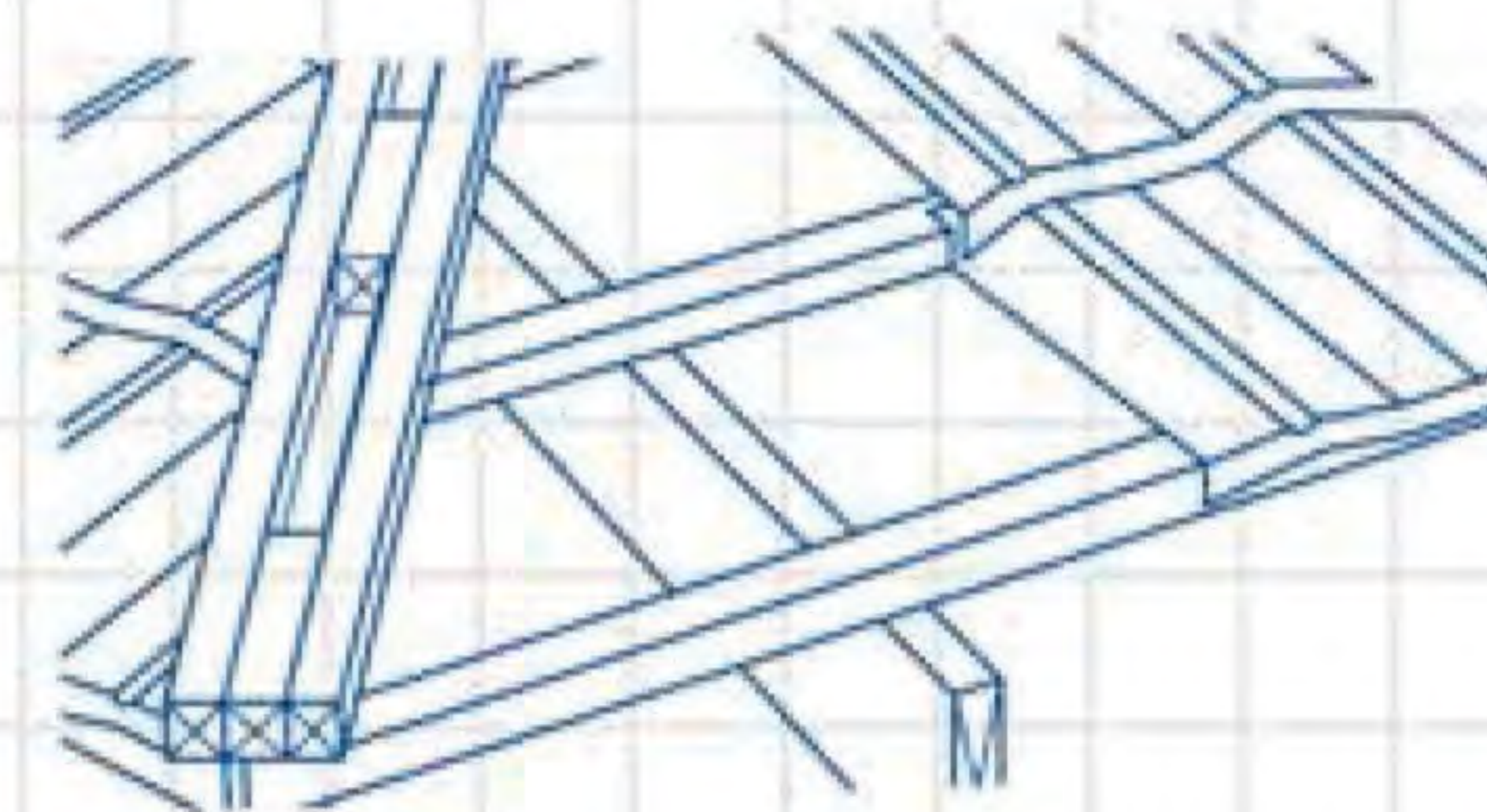
Valley

Galvanised steel valley linings are supported by 38mm x 76mm timber bearers and are then installed flush with rafters. Adjacent tiles to be measured and cut, allowing sufficient downturn into the valley.



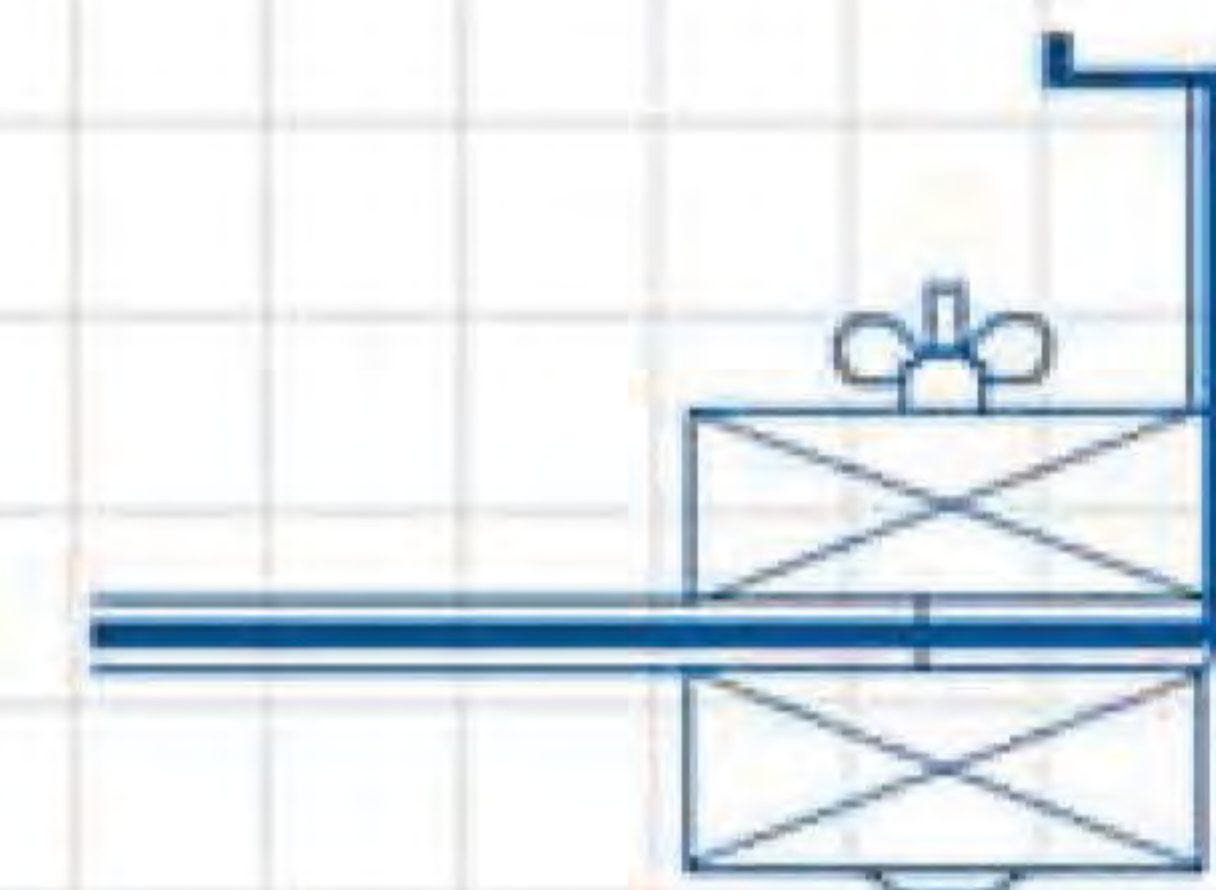
Gable end

Gables are fitted with a continuous serrated barge board cover to mesh with the tile profile. The cover is fastened along the barge board length using 3 nails.



Eaves

The bottom course of tiles to be secured with 4 nails driven vertically through the weather surface of the tile into the last batten.



Quarter tile at ridge

When a short course of tiles is required at the ridge, either the tile or a cover flashing is cut and bent to suit the shortened dimension. The back of the tile/cover flashing is bent up by 25mm to fit against the ridge and batten.